

SPECIFICATION SHEET



PANEL TYPE ELECTRODELESS CONDUCTIVITY ANALYZER

MBM-100A

This is a small and lightweight electric conductivity analyzer of panel mount type with electromagnetic induction measurement method. Transmission output is 4 to 20mA. 2 contact points are equipped. Power supply is universal power source.

Detectors are made of heat-resistant vinyl resin (C-PVC) or PFA, having an excellent anticorrosion and heat-resistance. For details, please refer to separate detector specification sheet.



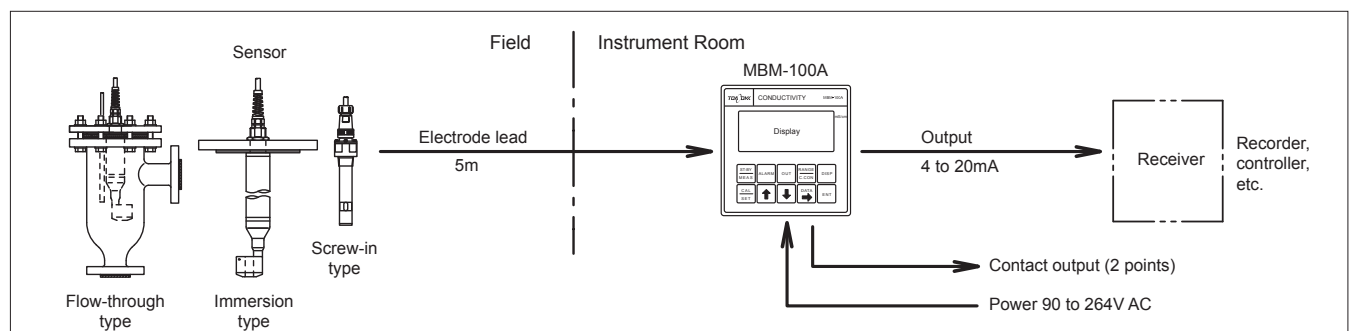
Features

- Compact DIN96 size
96 x 96 (DIN size) x 90 mm
- Temperature compensation with microprocessor
Wide-range and highly accurate temperature compensation. Selectable from (i) NaCl temperature characteristic (2 kinds), (ii) %/°C, and (iii) manual input (5 points).
- Universal power source
90 to 264V AC, 50.60 Hz
- Sample temperature displayed
- Conductivity adjustment
Enable adjustment with a reference meter.
- Two contact points
- RS-232C OUTPUT (optional)
RS 232C makes it possible to transfer data to a computer.

Standard Specifications

- Product Name : Panel type electrodeless conductivity analyzer
 Model Name : analyzer
 Measurement : MBM-100A
 Range : Display; 7 ranges, selectable
 0.000 to 2.100 mS/cm
 0.00 to 7.00
 0.0 to 21.00
 0.0 to 70.0
 0.0 to 210.0
 0 to 700
 0 to 2100
 Transmission output;
 Freely settable with the range width of 23.8% of the measurement range or wider.
 Temperature display;
 -5 to 120°C, 0.1 °C resolution
 Display : Digital LCD
 Temp. Compensation : -5 to 105°C subject to sensor material
 Performances : With equivalent resistance
 Linearity : Within +/-0.5%FS
 (Within +/-0.8%FS for Range 1)
 Repeatability : Within +/-0.2%FS
 Temp. compensation : Within +/-1.5%FS
 Transmission Output : Insulation type, 4 to 20 mA DC, load resistance 650Ω or less

System Configuration



Control Functions : Circuit; 2-circuits C contact
 Setting; measured value 0 - FS
 Contact capacity; 250V AC, 3A

Power Source : 90 to 264V AC, 50/60Hz
 Consumption; approx. 3VA

Ambient Conditions : -10 to 50°C, 90% RH or less

Case Material : Aluminum

Dimensions : 96 (W) x 96 (H) x 90 (D) mm
 Panel cut; 92 x 92 mm (DIN)

Weight : 0.5kg

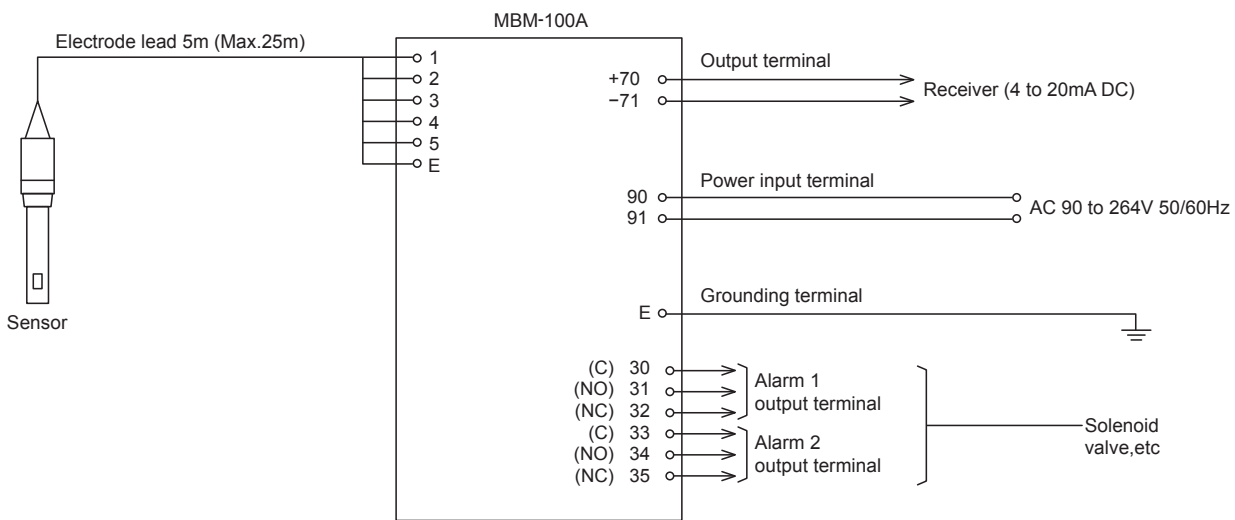
Structure : Panel mount, indoor installation(IP30)

Display and operation : polyester film
 part material

Combined detectors : ME100 series, ME-6/7series.

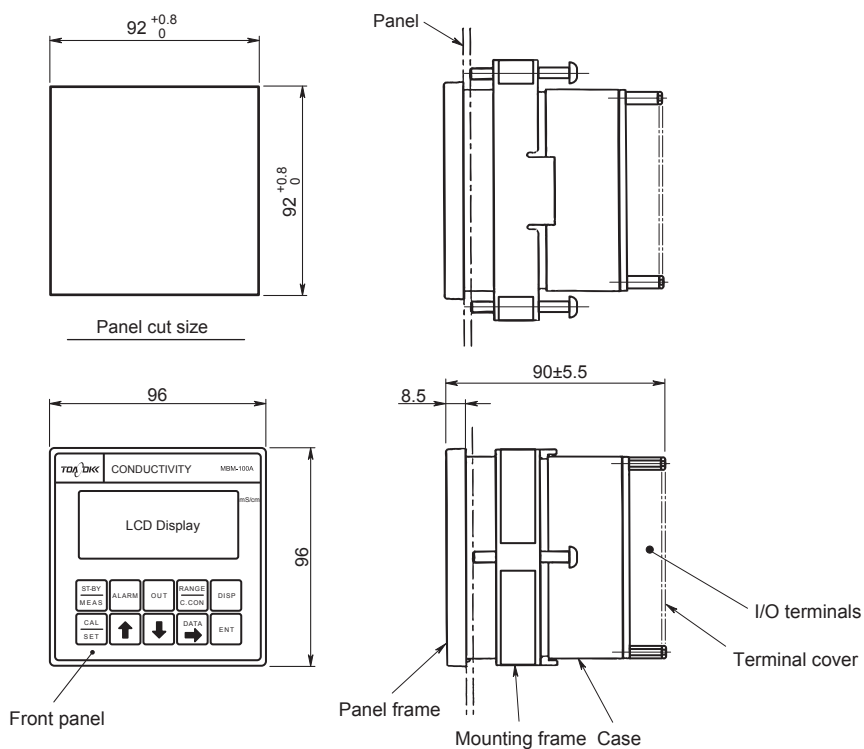
The cable length : 5m (standard)
 max. 20m if required.

Wireing Diagram

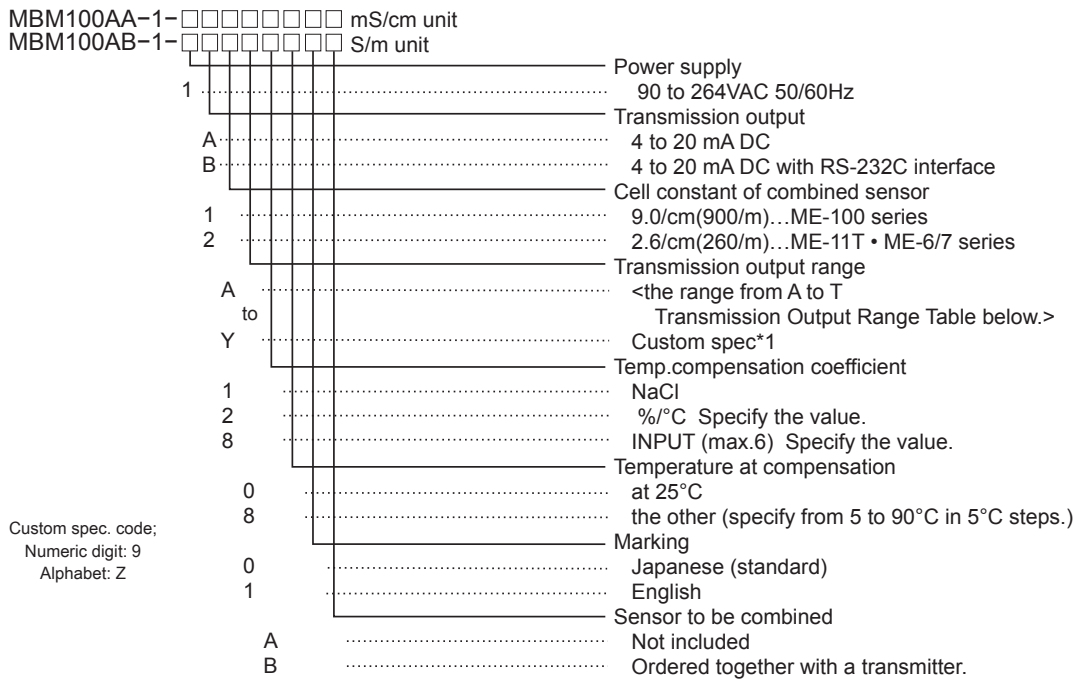


Dimensions

Unit : mm



Product code



Transmission Output Range Table

	MBM-100AA mS/cm Unit System	MBM-100AB mS/cm Unit System	Range
A	0.000 to 0.500	.0000 to .0500	1
B	0.000 to 1.000	.0000 to .1000	
C	0.000 to 2.000	.0000 to .2000	
D	0.00 to 3.00	0.000 to 0.300	2
E	0.00 to 4.00	0.000 to 0.400	
F	0.00 to 5.00	0.000 to 0.500	
G	0.00 to 10.00	0.000 to 1.000	3
H	0.00 to 20.00	0.000 to 2.000	
J	0.0 to 30.0	0.00 to 3.00	
K	0.0 to 40.0	0.00 to 4.00	4
L	0.0 to 50.0	0.00 to 5.00	
M	0.0 to 100.0	0.00 to 10.00	
N	0.0 to 200.0	0.00 to 20.00	5
P	0 to 300	0.0 to 30.0	
Q	0 to 400	0.0 to 40.0	
R	0 to 500	0.0 to 50.0	6
S	0 to 1000	0.0 to 100.0	
T	0 to 2000	0.0 to 200.0	

*1. You can specify the ranges at 5/21 (23.8%) or larger of each of the 7 ranges in "NOTE1: Measurement (Display) Ranges"
 ex: 0.500 to 1.000mS/cm, 200 to 500mS/cm, 2.00 to 7.00 S/m, etc..

*2. If sensor is NOT ordered together with a transmitter, please notify model and serial number of existing sensor.


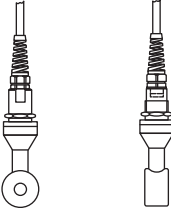
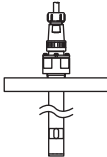
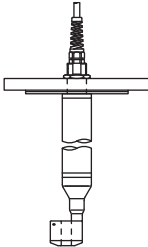
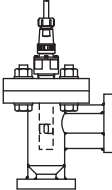
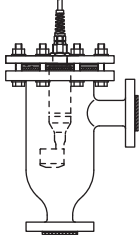


Note1. Measurement (display) ranges from 1 to 7

Range	mS/cm Unit System at 25°C	S/m Unit System at 25°C
1	0.000 to 2.100	.0000 to .2100
2	0.00 to 7.00	0.000 to 0.700
3	0.00 to 21.00	0.000 to 2.100
4	0.0 to 70.0	0.00 to 7.00
5	0.0 to 210.0	0.00 to 21.00
6	0 to 700	0.0 to 70.0
7	0 to 2100	0.0 to 210.0

Note2. Compensated temperature range is -5 to 105°C.
 (When the detector is made of PVC, the range is -5 to 60°C.)

All sensors to be combined

2types of sensors below are usable for MBM-100A type. ME-100 series (compact and lightweight type, cell constant: 9.0/cm) ME-6/7 series (high sensitivity type, cell constant: 2.6/cm) Please refer to separate electrode part specification for more detailed information.

	Compact ME-100 series (cable : EC-11 water proof connection)		High sensitivity type ME-6/7series (cable integrated type)	
type	Shape	Specifications	Shape	Specifications
In-line type (screw-in type)		Model : ME-112□ Wetted part material : One of the followings C-PVC, PVDF and PFA Connection screw : R3/4 Insertion length : 123mm		Model : ME-11T Wetted part material : PFA Connection screw : G3/4 Insertion length : 84mm Cable length : 5m
Piping / tank flange insertion type		Model : ME-122□ Wetted part material : One of the followings C-PVC, PVDF and PFA Connection flange standard : 50A JIS10K FF Flange lower length : 96 to 2000mm		Model : ME-72T Wetted part material : PFA Connection flange standard : 100A JIS10K RF Flange lower length : 500 to 2000mm Cable length : 5m
piping-connected flow liquid type (with case)		Model : ME-142H Wetted part material : C-PVC Case flange standard : 15A JIS10K AA		Model : ME-62 Wetted part material : PFA Case flange standard : 25A JIS10K RF Cable length : 5m
Throw-in type		Model : ME-111H (cable is directly connected) Wetted part material : C-PVC Diameter : Φ30 Cable length : 5 to 10m		Model : ME-11T Wetted part material : PFA/PVC Weight : approx. 1kg Diameter : Φ60 Cable length : 5 to 20m



DKK-TOA CORPORATION



Please read the operation manual carefully before using products.

Overseas Sales Division:
DKK-TOA Corporation
29-10, 1-Chome, Takadanobaba, Shinjuku-ku,
Tokyo 169-8648 Japan
Tel : +81-3-3202-0225 Fax : +81-3-3202-5685